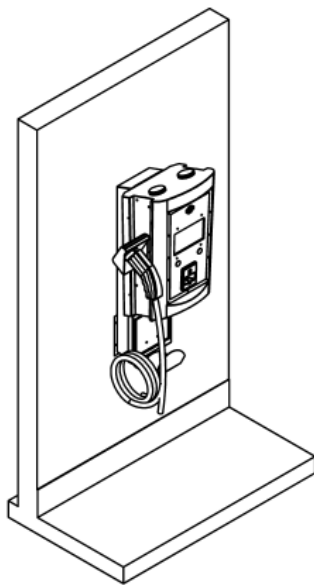


PowerCharge

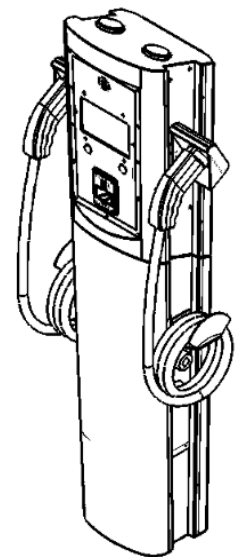
Pro Series

The PowerCharge Pro Series is designed to be the ultimate commercial electric vehicle charging station. An attractive, powerful and durable level 2 charger, the PowerCharge Pro features...

- ✓ Commercial grade components; robust steel housing with automotive grade powder coat finish, NEMA 3R rated for outdoor use in the toughest environments. Our internal electronics are built to hold up to the high utilization of public charging.
- ✓ We back up our Pro Series with a 2 year warranty*
- ✓ Choose the rate of charge (RPH – range per hour) to fit your needs; Level 2 - 208-240 volt; available in 16 amp (~10 miles RPH), 30 amp (~20 mile RPH) and 40 amp (~30 mile RPH) outputs.
- ✓ The “Pro Link” is our networked version providing Point of Sale (POS) with **CREDIT CARD SWIPE**, now drivers aren’t required to join a proprietary network! Revenue management is included with all Pro Series networked stations. We manage the fee structure you select and send you the revenue**. Usage data reporting and access control are included features providing comprehensive management of your EV Charging Program.



Available in pedestal and wall mount, networked and basic non-networked, single and dual connector, the PowerCharge Pro is available in the ideal configuration for your project.



* Read warranty terms and conditions in the operator manual and at PowerChargeEV.com

** Processing fees apply

PowerCharge

7464 W. Henrietta Road | Rush, NY 14543 | 585.533.4085 | PowerChargeEV.com

Features

- Attractive design, commercial durability
- Level 2 AC, Single or Dual Port
- Pedestal or Wall Mount, easy installation
- Networked and Non-Networked versions
- Easy remote networked management featuring point and click graphical user interface
- Data collection and reporting online for easy management and fleet tracking
- SSL data protection encrypts all sensitive payment card information
- Demand response control with integrated Zigbee, SEP 1.X and SEP 2.0 capable
- LAN and Cellular communication (networked stations only)
- Revenue grade Energy Meter (networked stations only)
- Payment options: All major credit cards, PowerCharge management**
- Open Charge Point Protocol (OCPP) Compliant
- Pay per time, per kWh, or any custom combinations
- Display: touch screen, full color (networked stations only)
- Gateway optional – communicate up to 15 non-gateway chargers for low operating cost



Technical Specifications

Input Voltage	208/240 VAC
Input Current	16A, 30A, 40A
Input Power Connections	Line1, Line2, Earth Required Service Panel Breaker, 16A/20A, 30A/40A, 40A/50A (Current/Breaker) – Dual station requires (2) feeds
Electrical Output	16A, 30A, 40A Available
Output Charging Power	3.3kW, 7.2 kW, 9.6kW
Output Voltage	208/240 VAC
Output Charging Connector	SAE J1772, 18ft Cable
User Interface and Convenience*	Color touchscreen display and payment processing
Card Reader - optional	NEMA 3 Magstrip Card Reader and/or Contactless RFID Card Reader
Ground Fault Detection	20mA CCID with automatic retry at 15-min. intervals, totaling 3 tries.
Plug-Out Detection	Power terminated per SAE J1772 specifications
Power Measurement - optional	Revenue grade energy metering available
Local Area Network*	CAT 5/6 (standard), Wi-Fi b/g/n (optional)
Wide Area Network * - optional	TCP/IP, WiFi b/g/n, Zigbee, ICP IP/Internet, GPRS
Safety Compliance	ETL Listed for US and Canada; Complies with UL 2594, UL 2231-1, UL 2231-2 Surge Protection 6kV at 3000 VAC
EMC Compliance	FCC Part 15 Class A
Operating Temperature	-30°C to +55°C
Operating Humidity	90% RH, non-condensing
Terminal Block Temperature Rating	+100°C
Enclosure	NEMA 3R
Smart Grid*	Utility Automated Demand Response, SEP 1.X and SEP 2.0
Weight (Approx.)	90lbs Wall Mount 130lbs Pedestal Mount

* Networked stations only



PowerCharge

7464 W. Henrietta Road | Rush, NY 14543 | 585.533.4085 | PowerChargeEV.com

Pro Series Model Numbers

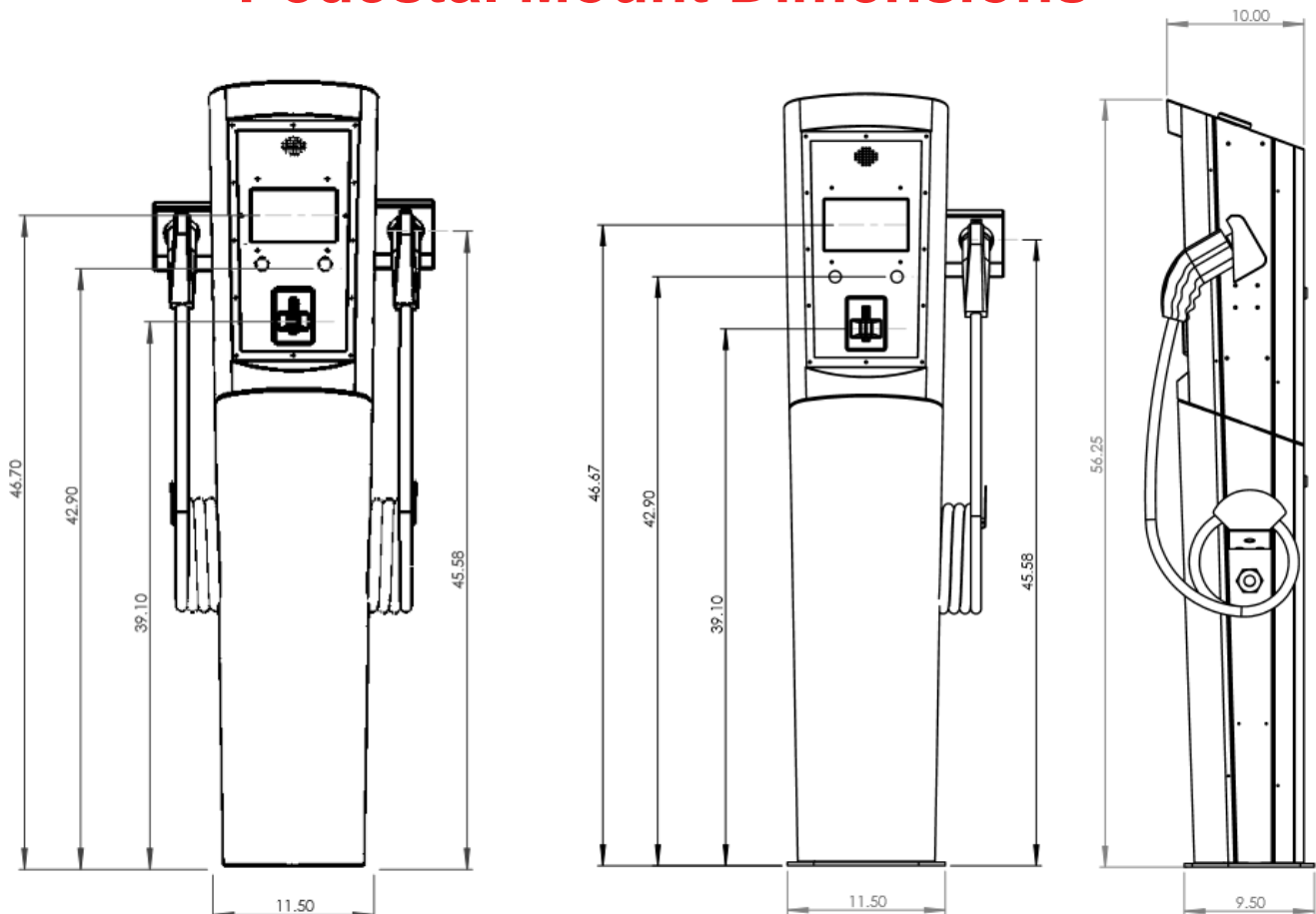
Variable	Options
RPH Range Per Hour of Charge	10 – 10 Miles / 16 Amp 20 – 20 Miles / 30 Amp 30 – 30 Miles / 40 Amp
Connectors	S – Single D – Dual
Mount	W – Wall P – Pedestal
Networking	N – Networked () – Non-Networked
Retractor	R – Retractor () – No Retractor



PowerCharge P(10/20/30)(D/S)(P/W)(N/) (R/)

Ex. P20DWN = Pro Series, 20RPH (30 Amp), Dual, Wall Mount, Networked, Retractor

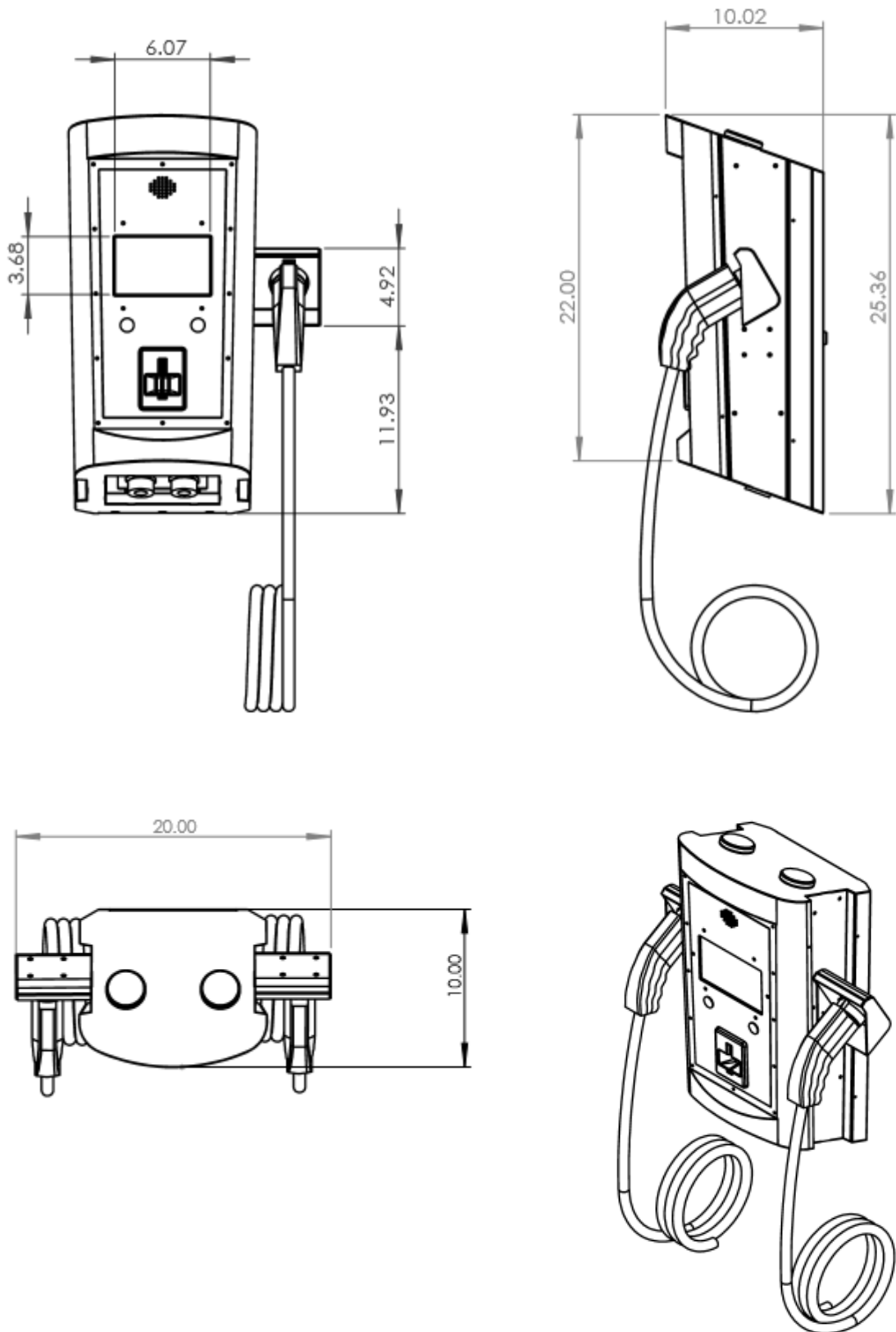
Pedestal Mount Dimensions



PowerCharge

7464 W. Henrietta Road | Rush, NY 14543 | 585.533.4085 | PowerChargeEV.com

Wall Mount Dimensions



PowerCharge

7464 W. Henrietta Road | Rush, NY 14543 | 585.533.4085 | PowerChargeEV.com